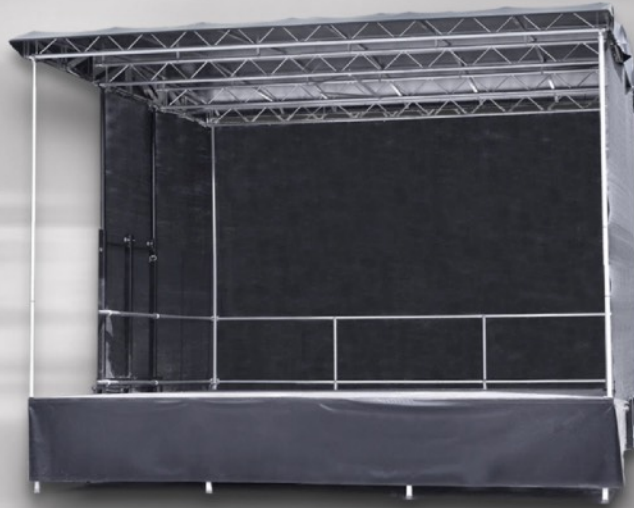
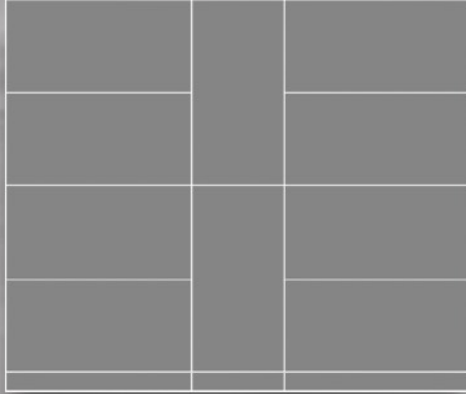


EUROSTAGE

MOBILE STAGES

10+ Decks



ES-2016

EuroStage Mobile Stages

The easiest, lightest, quickest, and most affordable professional stage on the market. All with **Clark Reder Engineering** design and safety certifications.

Our series of mobile stages are custom designed, engineered, and built for the US market. This modern design was achieved by targeting certain elements of older stage concepts that simply add cost and weight instead of function and value.

By strategically reducing these older design components and concepts, we've created a stage tailored for small to mid-sized staging and sound companies at a cost and ROI that will revolutionize the US mobile stage market.

4 Stage Models: ES-3322 | ES-2620 | **ES-2016** | ES-1612

**Stop Renting.
Own Your Own Mobile Stage.**

For more information contact us at:

info@EuroStage.us

www.EuroStage.us

www.facebook.com/EuroStageMobileStages

www.instagram.com/EuroStageMobileStages



ES-2620 Rev. 1.0 January 2022

PRELIMINARY SPECS

Trailer Specs:

Weight: 4,575 lbs.
Tongue Weight: <475 lbs.
Length: 25'-10"
Width: 7'-10"
Height: 11'-3"
Axels: (2) 3,500 lbs. ea.
Towing: Bumper w/ 2" ball

Stage Deck Specs:

Width: 19'-6"
Depth: 16'-6"
Area: 322 sf.
Load: 16,100 lbs. / 50 lbs. sf.
Deck Height: 3' to 4'-3"

Roof Specs:

Width: 20'-6"
Depth: 18'-9"
Deck to Truss: 12'-3"
Area: 384 sf.
Total Height: 17'-6" to 18'-9"

Capacity Specs:

Front Truss: 825 lbs. UDL
Center Truss: (2) 825 lbs. UDL
Back Truss: 825-2,000 lbs. UDL
Fly Bay: 5' = 750 lbs. ea. CP
Roof: 4,800+ lbs. UDL
Lifting Limit: 2,000 lbs. UDL

Wind Specs:

Clark Reder HWAP / 67 MPH

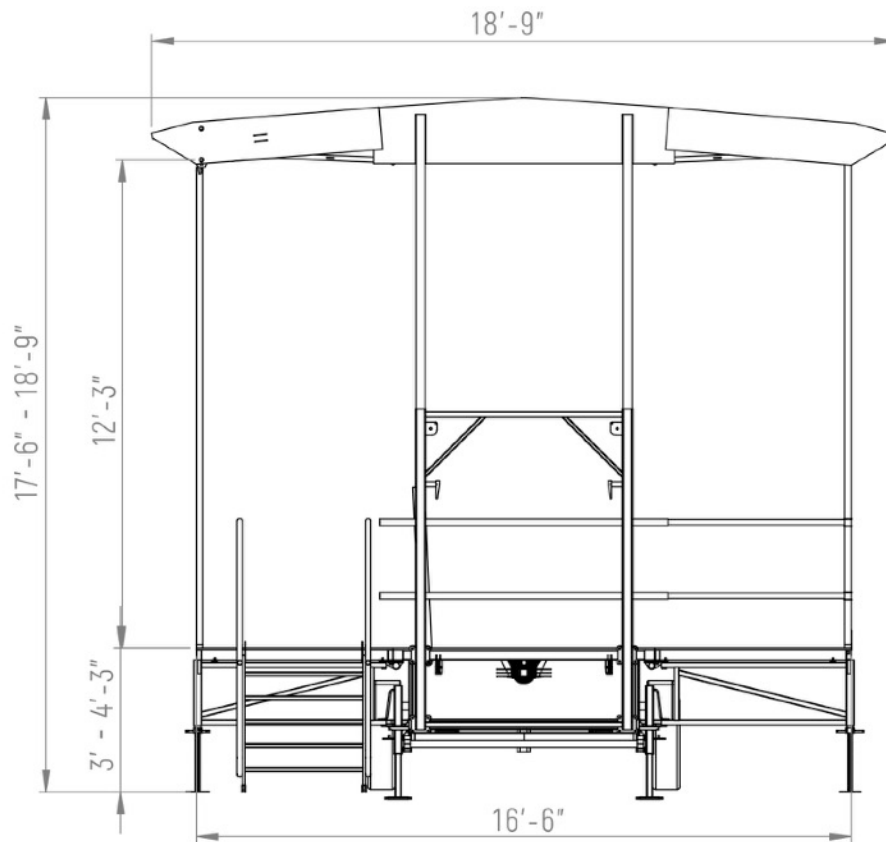
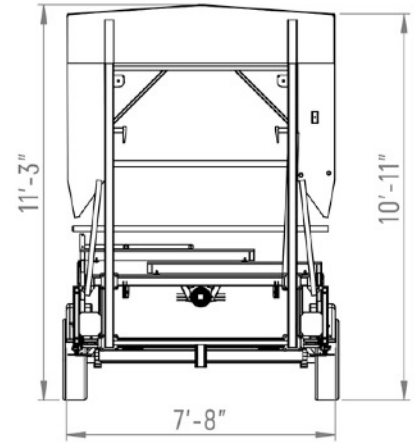
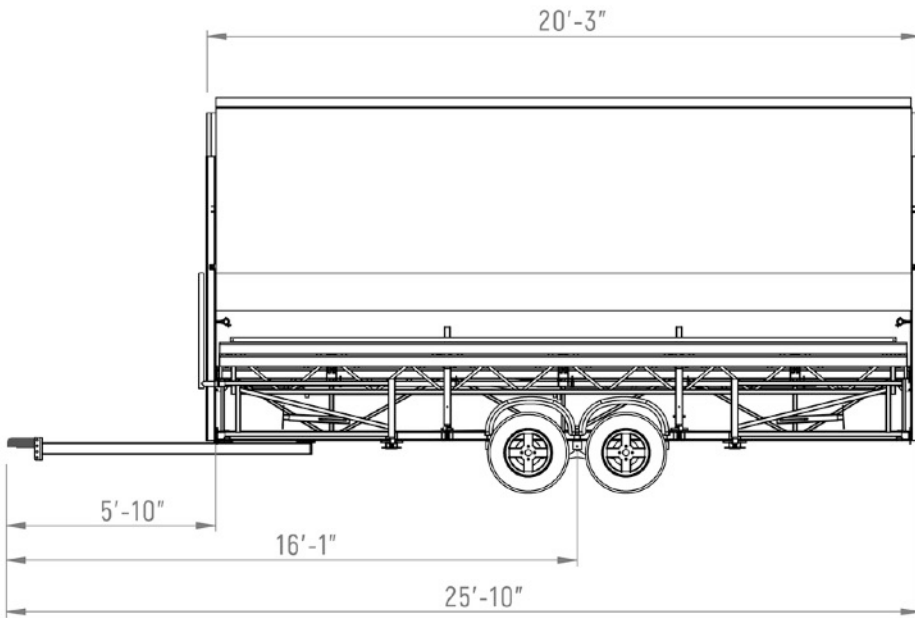
Hydraulics:

Single piston w/12v hydraulic pump

Set Up Time:

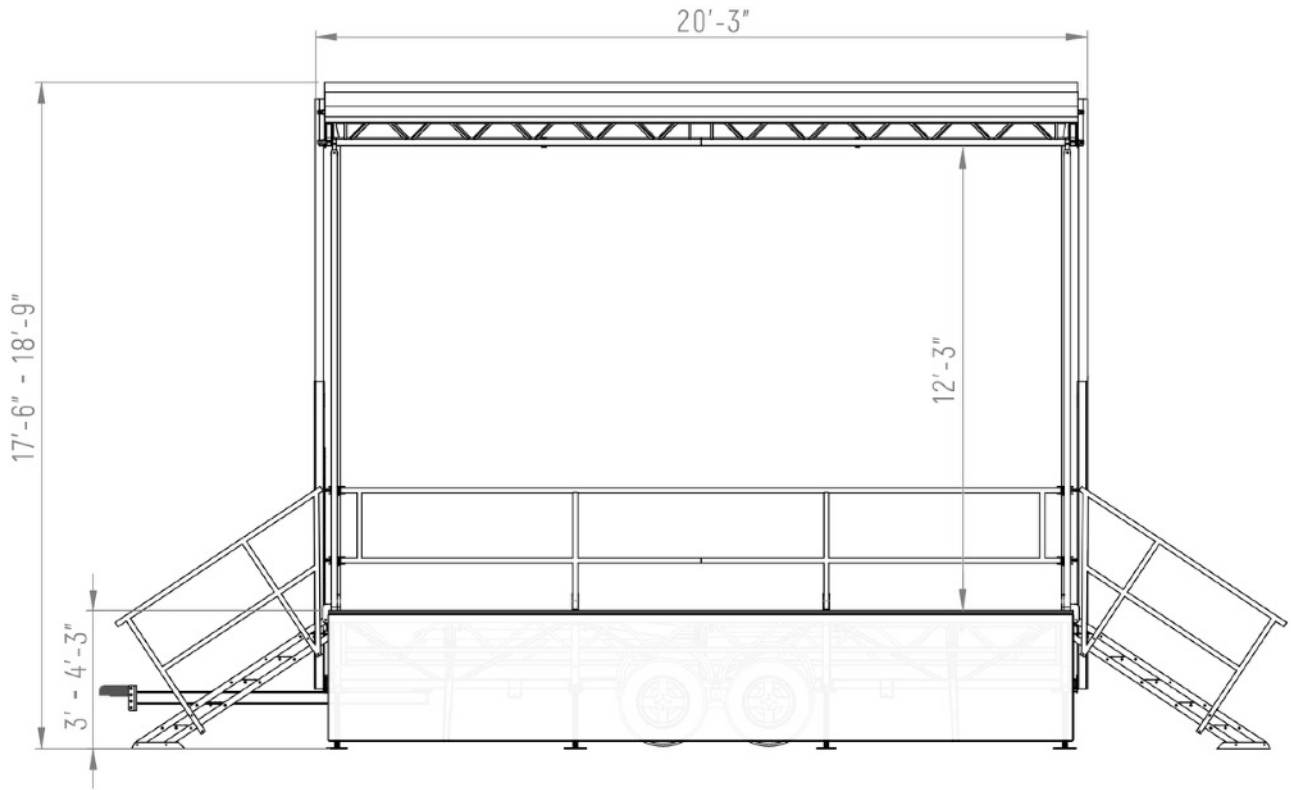
1 Tech + 1 Volunteer: 10-20 Mins.

EuroStage ES-2016 Mobile Stage (Trailer)



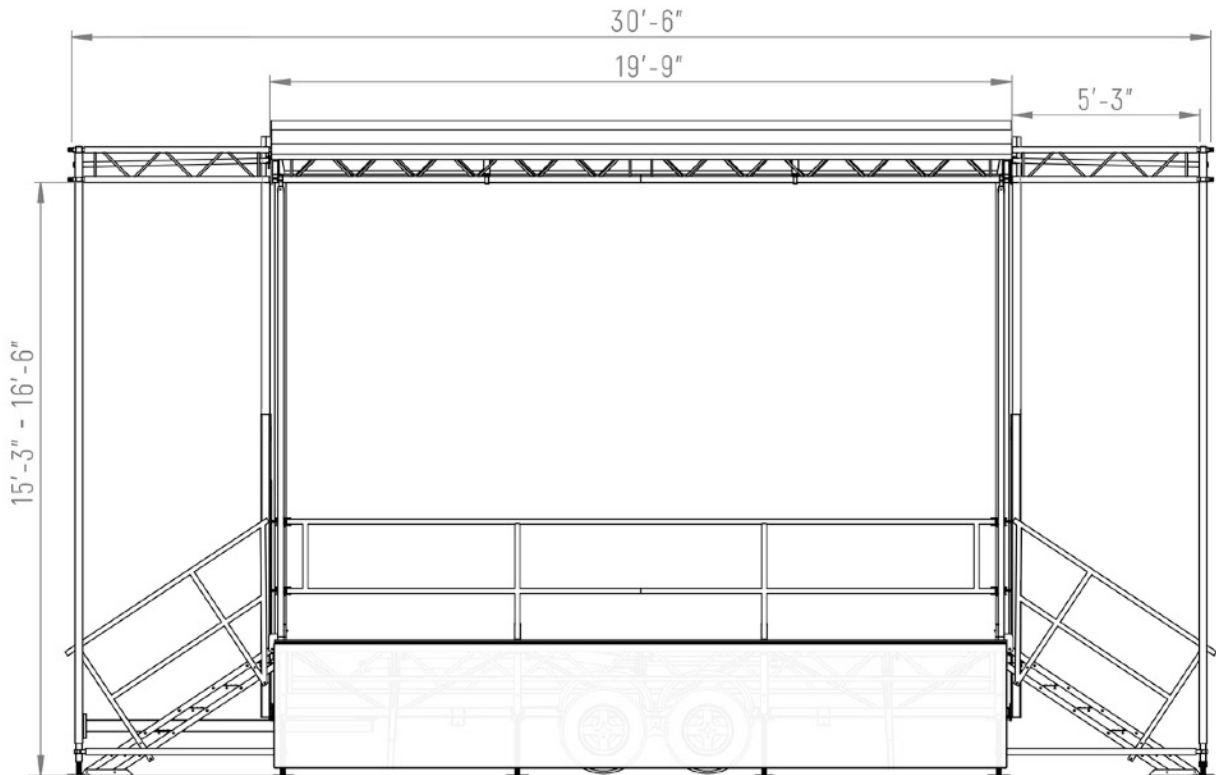
EuroStage ES-2016 Mobile Stage

(Front)



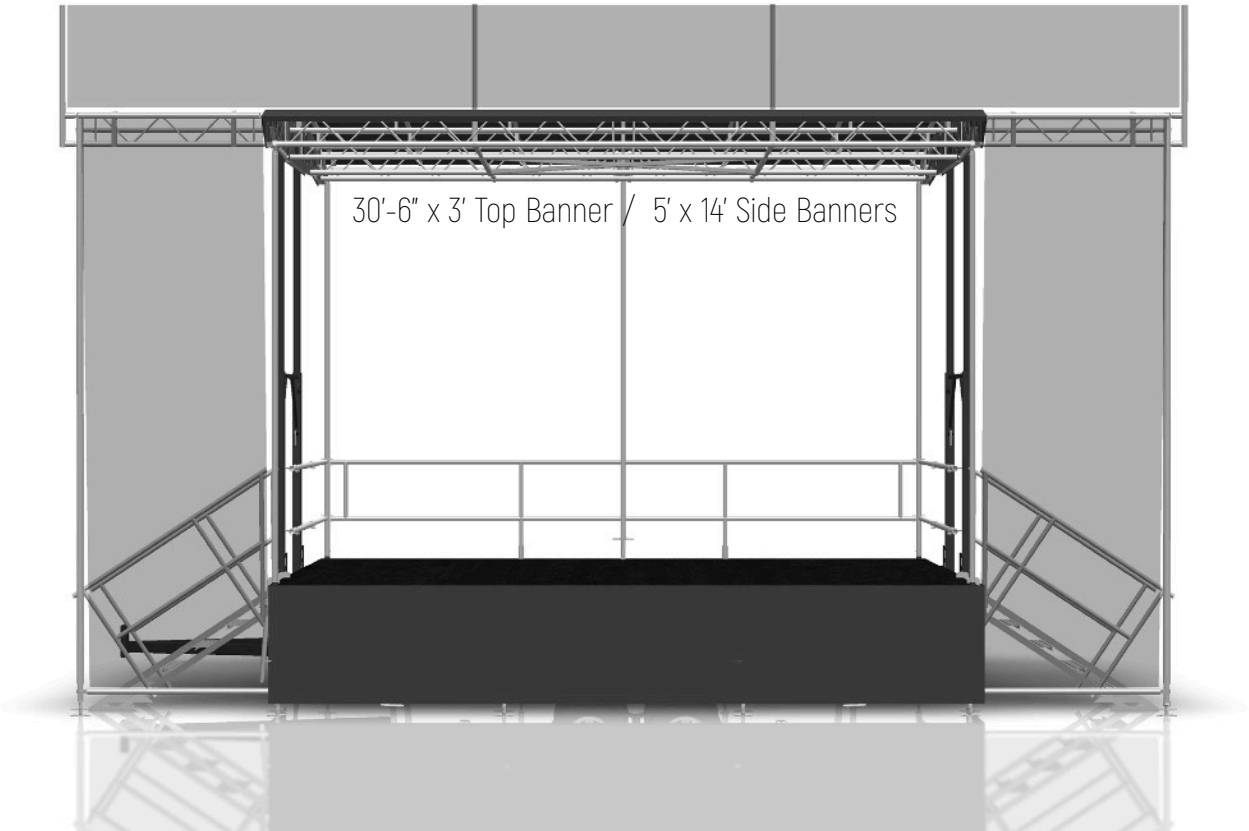
EuroStage ES-2016 Mobile Stage

(Front + 5' Fly Bay Kit)



EuroStage ES-2016 Mobile Stage

(Front + 5' Fly Bay Kit + LED Wall Kit + Banner Kit)



EuroStage ES-2016 Mobile Stage

(Main Stage Deck + Stage Wings)

